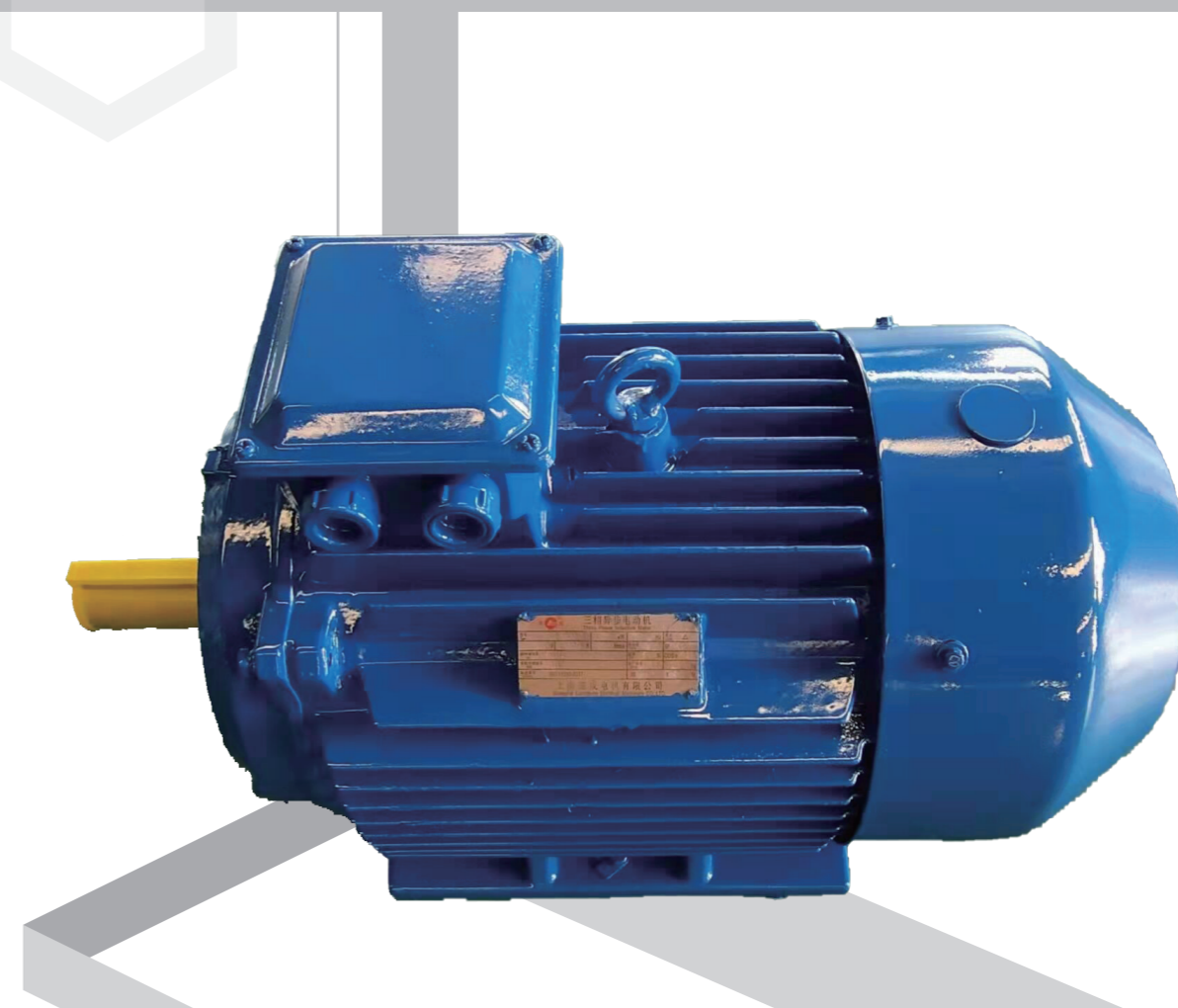




# YE3系列三相异步电动机

YE3 SERIES THREE-PHASE ASYNCHRONOUS MOTORS



**上海连成（集团）有限公司**  
SHANGHAI LIANCHENG (GROUP) CO., LTD.

地址：上海市江桥镇曹安公路3616-3618号  
邮编：201812  
总机：(021) 59138888  
传真：(021) 59136782  
800免费咨询电话：800-820-5009  
400免费咨询电话：400-188-3339

Address: 3616-3618 Can'an Road, Jiangqiao Shanghai  
P.C.: 201812  
Switchboard: (021) 59138888  
Fax: (021) 59136782  
800 Free consultation Tel: 800-820-5009  
400 Free consultation Tel: 400-188-3339



连成集团微信订阅号

# 目 录

## CONTENTS

---

<b>概述</b> General introduction	1
<b>性能数据</b> Performance data	2
<b>工作环境</b> Working conditions	4
<b>安装结构型式</b> Mounting type	4
<b>接线方法</b> Connection	5
<b>轴承型号</b> Bearing type	5
<b>安装及外形尺寸</b> Installation and dimensions	6
<b>接线盒</b> Junction box	7
<b>订货须知</b> Ordering instructions	7

---

## 概述 General introduction

YE3系列三相异步电动机（机座号63~355）是全封闭自扇冷式三相异步电动机，是YE2和YE3系列三相异步电动机的更新换代产品。本系列电动机具有高效、节能、设计新颖、体积小、重量轻，外形美观、噪声低、寿命长、结构紧凑、安装使用维修方便的特点。

YE3系列电动机机座号范围为63~355，功率0.12~315kW功率等级和安装尺寸符合GB/T4772.1/IEC 60072-1和GB/T4772.2/IEC 60072-2标准的规定。效率指标符合GB18613-2020《三相异步电动机能效限定值及能效等级》中的3级能效的规定，满足IEC60034-30-2008《旋转电机.第30部分:单速三相鼠笼式感应电动机的能效等级(IE编码)》标准的IE3级。

YE3系列电动机额定电压为380V，额定频率50Hz，防护等级IP55，绝缘等级F，冷却方式为IC411，可广泛应用于无特殊性能要求的各种机械设备，如机床、水泵、风机、压缩机、运输机、搅拌机、农业机械、冶金机械、矿山机械等。

YE3 series three-phase asynchronous motor (frame size 63~355) is totally enclosed fan cooled three-phase asynchronous motor, which are the updated products of YE2 and YE3 series three-phase asynchronous motors. The series motor has high efficiency, novel design, small size, light weight, beautiful appearance, low noise, long service life, compact structure, convenient installation and use and maintenance.

YE3 series motor frame number range is 63~355, power 0.12~315kW level and installation size comply with the provisions of GB/T4772.1/IEC 60072-1 and GB/T4772.2/IEC 60072-2 standard. According to GB 18613-2020 "energy efficiency index of three-phase asynchronous motor is of limited value and energy efficiency rating" of 3 energy efficiency requirements, meet the IEC 60034-30-2008 rotary motor. The thirtieth part: single speed three-phase squirrel cage induction motor energy efficiency rating (IE encoding) IE3 level standard.

YE3 series motor rated voltage 380V, rated frequency 50Hz, protection grade IP55, F insulation grade, the cooling method is IC411, which can be widely used in all kinds of machinery and equipment without special requirements, such as machine tools, pumps, fans, compressors, conveyors, mixers, agricultural machinery, metallurgical machinery, mining machinery, etc..

电动机产品型号的组成及含义举例如下：

Y E 3 - 160 L - 4 W

- 环境代号 Environment code:
  - F1-户内防中等腐蚀型 Indoor medium corrosion resistant type
  - F2-户内防强腐蚀型 Indoor strong corrosion prevention type
  - WF1-户外防中等腐蚀型 Outdoor medium corrosion resistant
  - WF2-户外防强腐蚀型 Outdoor strong corrosion prevention type
  - TH-湿热带 Wet tropics
  - TA-干热带 Dry tropics
  - G-高原 Plateau
  - W-户外 Outdoor
- 极数 The number of poles
- 机座长度 (S表示短机座、M表示中机座、L表示长机座)  
Length of frame (S stands short frame, M stands middle frame, L stands long pedestal)
- 中心高 Center height
- 按照国际IE3效率等级设计 According to the international IE3 efficiency level design
- 高效率 High efficiency
- 异步电动机 Asynchronous motor

The composition and meaning of the motor product model are as follows:

## 性能数据 Performance data

型号 Model	功率 Power (KW)	额定电流 Rated current (A)	转速 Speed (r/min)	效率 Eff. (%)	功率因数 Power factor (P.F)	额定转矩 Rated torque (N.m)	堵转转矩 T <sub>st</sub>	堵转电流 I <sub>st</sub>	最大转矩 T <sub>max</sub>	噪声 Noise dB(A)
							额定转矩 T <sub>N</sub> Locked rotor torque Rated torque	额定电流 I <sub>N</sub> Locked rotor current Rated current	额定转矩 T <sub>N</sub> Maximum torque Rated torque	
同步转速 Synchronous speed 3000 r/min										
YE3-80M1-2	0.75	1.72	2830	80.7	0.82	2.5	2.3	7.0	2.3	62
YE3-80M2-2	1.1	2.43	2830	82.7	0.83	3.7	2.2	7.6	2.3	62
YE3-90S-2	1.5	3.22	2840	84.2	0.84	5.0	2.2	7.9	2.3	67
YE3-90L-2	2.2	4.58	2850	85.9	0.85	7.3	2.2	7.9	2.3	67
YE3-100L-2	3	6.02	2860	87.1	0.87	10.0	2.2	8.5	2.3	74
YE3-112M-2	4	7.84	2890	88.1	0.88	13.1	2.2	8.5	2.3	77
YE3-132S1-2	5.5	10.6	2900	89.2	0.88	17.9	2.0	8.5	2.3	79
YE3-132S2-2	7.5	14.4	2900	90.1	0.88	24.4	2.0	8.5	2.3	79
YE3-160M1-2	11	20.6	2930	91.2	0.89	35.7	2.0	8.5	2.3	81
YE3-160M2-2	15	27.9	2930	91.9	0.89	48.6	2.0	8.5	2.3	81
YE3-160L-2	18.5	34.2	2930	92.4	0.89	60.0	2.0	8.5	2.3	81
YE3-180M-2	22	40.5	2940	92.7	0.89	71.2	2.0	8.5	2.3	83
YE3-200L1-2	30	54.9	2950	93.3	0.89	96.8	2.0	8.5	2.3	84
YE3-200L2-2	37	67.4	2950	93.7	0.89	119	2.0	8.5	2.3	84
YE3-225M-2	45	80.8	2960	94.0	0.90	145	2.0	8.0	2.3	86
YE3-250M-2	55	98.5	2965	94.3	0.90	177	2.0	8.0	2.3	89
YE3-280S-2	75	133.7	2970	94.7	0.90	241	1.8	7.5	2.3	91
YE3-280M-2	90	159.9	2970	95.0	0.90	289	1.8	7.5	2.3	91
YE3-315S-2	110	195.1	2980	95.2	0.90	353	1.8	7.5	2.3	92
YE3-315M-2	132	233.6	2980	95.4	0.90	424	1.8	7.5	2.3	92
YE3-315L1-2	160	279.4	2980	95.6	0.91	514	1.8	7.5	2.3	92
*YE3-315L-2	185	322.8	2980	95.7	0.91	589	1.8	7.5	2.2	92
YE3-315L2-2	200	348.6	2980	95.8	0.91	642	1.8	7.5	2.2	92
*YE3-355M1-2	220	383.4	2985	95.8	0.91	700	1.6	7.5	2.2	100
YE3-355M-2	250	435.7	2985	95.8	0.91	800	1.6	7.5	2.2	100
*YE3-355L1-2	280	488.0	2985	95.8	0.91	891	1.6	7.5	2.2	100
YE3-355L-2	315	549.0	2985	95.8	0.91	1008	1.6	7.5	2.2	100
同步转速 Synchronous speed 1500 r/min										
YE3-80M1-4	0.55	1.38	1390	80.8	0.75	3.7	2.4	6.6	2.3	56
YE3-80M2-4	0.75	1.84	1390	82.5	0.75	5.0	2.3	6.6	2.3	56
YE3-90S-4	1.1	2.61	1390	84.1	0.76	7.4	2.3	5.8	2.3	59
YE3-90L-4	1.5	3.47	1390	85.3	0.77	10.1	2.3	7.0	2.3	59
YE3-100L1-4	2.2	4.76	1410	86.7	0.81	14.7	2.3	7.6	2.3	64
YE3-100L2-4	3	6.34	1410	87.7	0.82	20.0	2.3	7.6	2.3	64
YE3-112M-4	4	8.37	1435	88.6	0.82	26.3	2.2	7.8	2.3	65
YE3-132S-4	5.5	11.2	1440	89.6	0.83	35.9	2.0	7.9	2.3	71
YE3-132M-4	7.5	15.0	1440	90.4	0.84	48.9	2.0	7.5	2.3	71
YE3-160M-4	11	21.5	1460	91.4	0.85	71.5	2.2	7.7	2.3	73
YE3-160L-4	15	28.8	1460	92.1	0.86	97.4	2.2	7.8	2.3	73
YE3-180M-4	18.5	35.3	1470	92.6	0.86	120	2.0	7.8	2.3	76
YE3-180L-4	22	41.8	1470	93.0	0.86	143	2.0	7.8	2.3	76
YE3-200L-4	30	56.6	1470	93.6	0.86	194	2.0	7.3	2.3	76

#### 性能数据 Performance data

型号 Model	功率 Power (KW)	额定电流 Rated current (A)	转速 Speed (r/min)	效率 Eff. (%)	功率因数 Power factor (P.F.)	额定转矩 Rated torque (N.m)	堵转转矩 $T_{st}$	堵转电流 $I_{st}$	最大转矩 $T_{max}$	噪声 Noise dB(A)
							额定转矩 $T_N$ Locked rotor torque Rated torque	额定电流 $I_N$ Locked rotor current Rated current	额定转矩 $T_N$ Maximum torque Rated torque	
YE3-225S-4	37	69.9	1475	93.9	0.86	239	2.0	7.4	2.3	78
YE3-225M-4	45	84.4	1475	94.2	0.86	290	2.0	7.4	2.3	78
YE3-250M-4	55	102.7	1480	94.6	0.86	354	2.2	7.4	2.3	79
YE3-280S-4	75	136.3	1480	95.0	0.88	482	2.0	6.9	2.3	80
YE3-280M-4	90	163.2	1480	95.2	0.88	579	2.0	6.9	2.3	80
YE3-315S-4	110	196.8	1485	95.4	0.89	707	2.0	7.0	2.2	88
YE3-315M-4	132	235.7	1485	95.6	0.89	849	2.0	7.0	2.2	88
YE3-315L1-4	160	285.1	1485	95.8	0.89	1029	2.0	7.1	2.2	88
*YE3-315L-4	185	325.7	1485	95.9	0.90	1177	2.0	7.1	2.2	88
YE3-315L2-4	200	351.7	1485	96.0	0.90	1286	2.0	7.1	2.2	88
*YE3-355M1-4	220	386.9	1490	96.0	0.90	1400	2.0	7.1	2.2	95
YE3-355M-4	250	439.6	1490	96.0	0.90	1591	2.0	7.1	2.2	95
*YE3-355L1-4	280	492.4	1490	96.0	0.90	1782	2.0	7.1	2.2	95
YE3-355L-4	315	553.9	1490	96.0	0.90	2012	2.0	7.1	2.2	95
同步转速 Synchronous speed 1000 r/min										
YE3-80M1-6	0.37	1.1	910	73.5	0.70	3.9	1.9	6.0	2.0	54
YE3-80M2-6	0.55	1.5	910	77.2	0.72	5.8	2.0	6.0	2.1	54
YE3-90S-6	0.75	2.03	933	78.9	0.71	7.7	2.0	6.0	2.1	57
YE3-90L-6	1.1	2.83	933	81.0	0.73	11.2	2.0	6.0	2.1	57
YE3-100L-6	1.5	3.78	936	82.5	0.73	15.2	2.0	6.5	2.1	61
YE3-112M-6	2.2	5.36	959	84.3	0.74	21.8	2.0	6.6	2.1	65
YE3-132S-6	3	7.2	974	85.6	0.74	29.4	2.0	6.8	2.1	69
YE3-132M1-6	4	9.46	974	86.8	0.74	39.2	2.0	6.8	2.1	69
YE3-132M2-6	5.5	12.7	974	88.0	0.75	53.9	2.0	7.0	2.1	69
YE3-160M-6	7.5	16.2	975	89.1	0.79	73.5	2.0	7.0	2.1	73
YE3-160L-6	11	23.1	978	90.3	0.80	108	2.0	7.2	2.1	73
YE3-180L-6	15	30.9	979	91.2	0.81	146	2.0	7.3	2.1	73
YE3-200L1-6	18.5	37.8	985	91.7	0.81	180	2.0	7.3	2.1	73
YE3-200L2-6	22	44.8	985	92.2	0.81	214	2.0	7.4	2.1	73
YE3-225M-6	30	59.1	985	92.9	0.83	291	2.0	6.9	2.1	74
YE3-250M-6	37	71.7	985	93.3	0.84	359	2.0	7.1	2.1	76
YE3-280S-6	45	85.8	991	93.7	0.85	434	2.0	7.3	2.0	78
YE3-280M-6	55	103.3	992	94.1	0.86	531	2.0	7.3	2.0	78
YE3-315S-6	75	143.4	993	94.6	0.84	723	2.0	6.6	2.0	83
YE3-315M-6	90	169.5	993	94.9	0.85	868	2.0	6.7	2.0	83
YE3-315L1-6	110	206.8	994	95.1	0.85	1061	2.0	6.7	2.0	83
YE3-315L2-6	132	244.5	994	95.4	0.86	1273	2.0	6.8	2.0	83
YE3-355M1-6	160	295.7	995	95.6	0.86	1536	1.8	6.8	2.0	85
*YE3-355M-6	185	337.6	995	95.7	0.87	1767	1.8	6.8	2.0	85
YE3-355M2-6	200	364.7	995	95.8	0.87	1920	1.8	6.8	2.0	85
*YE3-355L1-6	220	401.1	995	95.8	0.87	2101	1.8	6.8	2.0	85
YE3-355L-6	250	455.7	995	95.8	0.87	2399	1.8	6.8	2.0	85

注：带\*规格为扩充型号

#### 工作环境 Working conditions

a) 温度：环境空气温度随季节而变化，但最高+40℃，环境空气最低温度为-15℃；

b) 海拔：不超过1000m；

注：当环境空气温度、海拔与上述规定不同时按GB755规定；

c) 湿度：最湿月月平均最高相对湿度为90%，同时该月月平均最低温度不高于25℃（工厂）；

d) 额定频率：50Hz（根据用户需要亦可制成60Hz）；

e) 工作制：S1；

f) 额定电压：380V（根据用户需要亦可制成220V、230V、240V、400V、415V、660V、690V、720V、220V/380V、230V/400V、240V/415V、380/660V、400V/690V、415V/720V）。

注：对频率、电压、环境空气温度、海拔等有特殊要求时，请在订货时提出。

a) temperature: the ambient air temperature varies with season, but the highest temperature is +40℃, and the lowest temperature of ambient air is -15℃;

b) altitude: no more than 1000m;

Note: when the ambient air temperature and altitude are different from the above provisions, according to GB755 regulation;

c) humidity: the wettest month is the highest, the relative humidity is 90%, and the average minimum temperature is not higher than 25 degrees (factory);

d) rated frequency: 50Hz (60Hz can be made according to user's requirement);

e) work system: S1;

f) rated voltage: 380V (220V, 230V, 240V, 400V, 415V, 660V, 690V, 720V, 220V/380V, 230V/400V, 240V/415V, 380/660V, 400V/690V, 415V/720V) can be made according to user's needs.

Note: when the frequency, voltage, ambient air temperature, altitude and other special requirements, please put forward at the time of ordering.

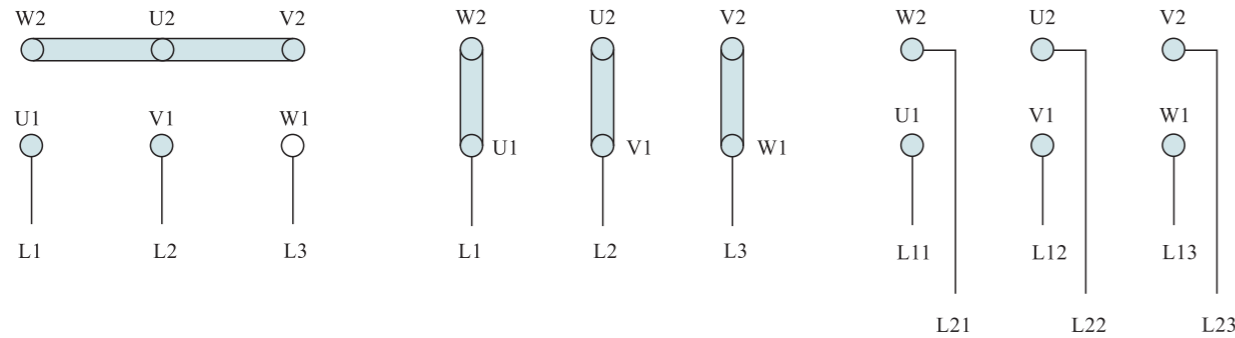
#### 安装结构型式 Mounting type

机座号 Seat number	基本安装结构 Basic mounting structure			派生的安装型式 Derived installation type									
	IMB3	IMB35	IMB5	采用IMB5型 Use IMB5 type			IMB3			采用IMB35型 Use IMB35 type			
				IMV1	IMV3	IMV5	IMV6	IMB6	IMB7	IMB8	IMV15	IMV36	
80~120	✓	✓	✓	✓	✓	✓	✓	✓	✓	✓	✓	✓	✓
132~160	✓	✓	✓	✓	✓	-	-	-	-	-	-	-	-
180~280	✓	✓	✓	✓	-	-	-	-	-	-	-	-	-
315~355	✓	✓	-	✓	-	-	-	-	-	-	-	-	-

接线方法 Connection

3kW及以下电机为Y接法，3kW以上电机为Δ接法。

3kW and below motor is Y connection method, motor above 3kW is delta connection method.



接法: Y  
Connection method: Y

接法: Δ  
Connection method: Δ

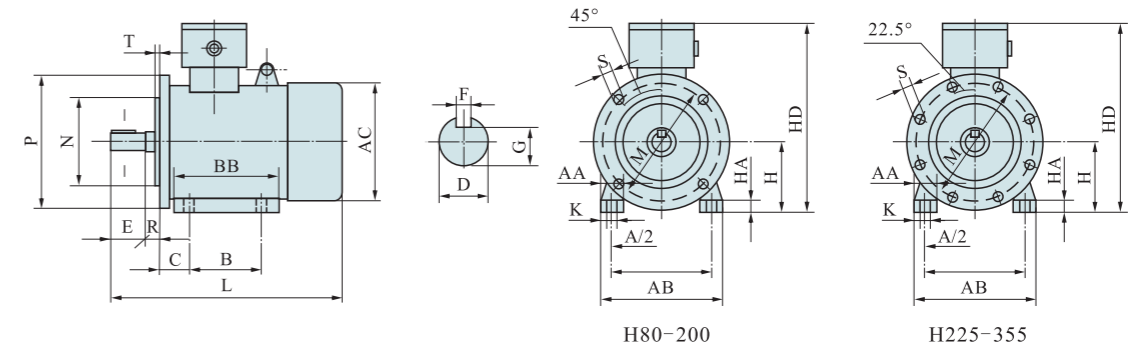
接法: Y/Δ启动  
Connection method: Y/Δ startup

轴承型号 Bearing type

机座号 Seat number	轴伸端 Shaft end	非轴伸端 Non axial extension end
80	6204-2RZ/C3/Z2	6204-2RZ/C3/Z2
90	6205-2RZ/C3/Z2	6205-2RZ/C3/Z2
100	6206-2RZ/C3/Z2	6206-2RZ/C3/Z2
112	6306-2RZ/C3/Z2	6306-2RZ/C3/Z2
132	6308-2RZ/C3/Z2	6308-2RZ/C3/Z2
160	6309-2RZ/C3/Z2	6309-2RZ/C3/Z2
180	6311/C3/Z2	6311/C3/Z2
200	6312/C3/Z2	6312/C3/Z2
225	6313/C3/Z2	6313/C3/Z2
250	6314/C3/Z2	6314/C3/Z2
280 (2P)	6314/C3/Z2	6314/C3/Z2
280 (4~8P)	6317/C3/Z2	6317/C3/Z2
315 (2P)	6317/C3/Z2	6317/C3/Z2
315 (4~10P)	6319/C3/Z2	6319/C3/Z2
355 (2P)	6319/C3/Z2	6319/C3/Z2
355 (4~10P)	6322/C3/Z2	6322/C3/Z2

注: 某些特殊场合应用, 轴承型号可能不同, 以实物为准。  
Note: For certain special occasions, the bearing type may be different, depending on the object.

安装及外形尺寸 Installation and dimensions



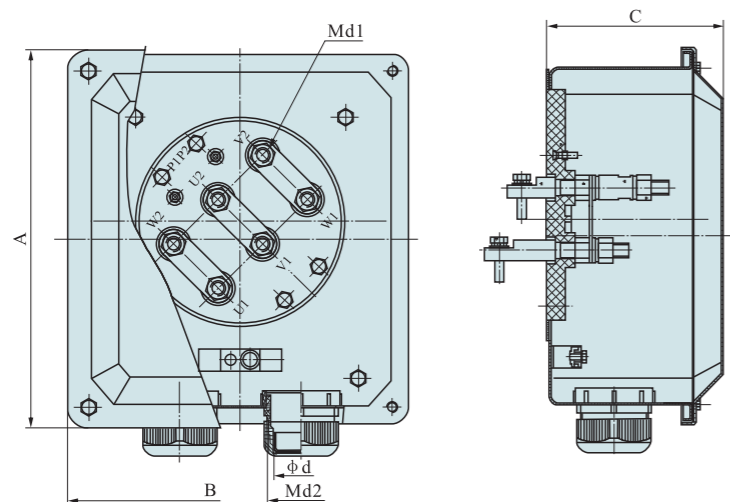
单位 Unit: mm

机座 Seat	极数 No. of poles	安装尺寸 Mounting dimension														外形尺寸 Outline dimension																					
		A	B	C	D	E	F	G	H	K	M	N	P	R	S	T	AA	BB	HA	AB	AC	HD	L														
80M	2,4,6,8	125	100	50	19	40	6	16	80	10	165	130	200	0	4-φ12	3.5	32	130	12	160	155	220	295														
90S		140	125	56	24	50	8	20	90								12	215	180	250	0	4-φ14.5	4	34	140	14	176	175	260	325							
90L																								34	164	14	176	175	260	350							
100L		160	140	63	28	60	24	100	12								265	230	300	0	4-φ18.5	5	39	175	16	200	195	270	380								
112M		190	140	70	28	60	24	112		45	180	16	226	220	300	405																					
132S		216	178	89	38	80	10	33	132	15	300	250	350	0	4-φ18.5	5	55	205	20.5	262	258	345	485														
132M		254	210	108	42	110	12	37	160								55	224	20.5	262	258	345	505														
160M		2	254	108	42	110	14	43	180	19	400	350	450	0	8-φ18.5	5	65	260	23	314	313	420	620														
160L																	65	305	23	314	313	420	665														
180M																	279	241	121	48	140	20	68	280	500	450	550	0	8-φ18.5	5	70	311	25	349	355	455	700
180L																	279	279	25	349	355	455	735														
200L		318	305	133	55	16	49	200	19	400	350	400	0	8-φ18.5	5	74	368	29	388	398	505	770															
225S		4	286	149	60	140	18	53								225	400	350	450	0	8-φ18.5	5	368	31	431	448	560	820									
225M		2	356	311	55	110	16	49	78	393	31	431	448	560	815																						
250M		2	406	349	168	60	18	53	24	500	450	550	0	8-φ18.5	5	80	445	33	484	487	615	920															
280S		2	457	190	75	140	20	68								280	500	450	550	0	8-φ18.5	5	90	485	38.5	542	550	680	985								
280M	2	419							65	18	58	90	536	542	550								680	1035													
315S	2	508							216	80	170	22	71	315	600	550	660	0	8-φ24	6	1190	570	45	625	622	845	1190										
315M	2																				457	65	140	18	58	120	675	625	845	1300							
315L	2		508	80	170	22	71	315						600	550	660	0	8-φ24	6	1300	675	45	625	622	845	1300											
355M	2																			560	75	140	20	68	1300	675	45	625	622	845	1500						
355L	2	610	254	75	140	20	68	355	740	680	800	0	8-φ24	6	1500	750	52	730	700	1010	1500																
355L	2														630	95	170	25	86	1530	750	52	730	700	1010	1530											

注: 1、图为B35型标准轴电机图样, 机座带底脚, 端盖上有凸缘。  
2、B3型电机座带底脚, 端盖无凸缘, 无尺寸M、N、P、R、S、T。  
3、B5型电机座无底脚, 端盖上有凸缘, 无尺寸A、B、C、AB、AA、BB、HA、K。  
4、H80-90无吊环。

Note: 1, figure B35 standard shaft motor drawing frame with foot, end shield with flange.  
2, B3 type motor seat with foot, end shield without flange, no size, N, P, R, M, S, T.  
3, B5 type motor seat without foot, end cap, no size, B, C, AB, A, AA, BB, HA, K.  
4, H80-90 without rings.

### 接线盒 Junction box



单位 Unit: mm

机座号 Seat number	最大满载电流(A) Max. full load current	A	B	C	接线端子 Wiring terminal Md1	进线孔螺纹 Inlet thread Md2	进线电缆最大外径 Max. outer diameter of incoming cable Φ d
80	2.5	97	97	50	6-M4	1-M24×1.5	Φ 14
90~100	6.8	106	106	52	6-M4	2-M24×1.5	Φ 14
112~132	15.4	121	121	65	6-M5	2-M30×2	Φ 20
160~180	42.5	162	153	76	6-M6	2-M36×2	Φ 25
200~225	84.2	210	194	98	6-M8	2-M48×2	Φ 32
250~280	166.6	240	220	109	6-M10	2-M64×2	Φ 44
315	358	334	304	154	6-M16	2-M64×2	Φ 44
355	546	404	367	184	6-M20	2-M72×2	Φ 51

注：接线盒外形尺寸仅供参考，以实物为准。  
Note: The shape of the junction box is for reference only, depending on the object.

### 订货须知 Ordering instructions

订货时须注明电动机型号、极数、额定功率、额定电压、额定频率、安装结构型式、防护等级、环境要求等。

如需15kW、4P、380V、IMB3安装、防护等级为IP55的电动机标注如下：YE3-160L-4 15kW、380V、50Hz、IMB3、IP55。

对电动机的噪声等级、防护等级、轴承注排油结构、旋转方向、特殊环境等有特殊要求时，须在订货合同上注明。

注：样本数据允许变动，应以实际变动为准。

When ordering, the motor type, pole number, rated power, rated voltage, rated frequency, installation structure type, protection grade and environmental requirements must be noted.

For 15kW, 4P, 380V, IMB3 installation, protection level of IP55 motor marked as follows: YE3-160L-4 15kW, 380V, 50Hz, IMB3, IP55.

The special requirements for the noise level, protection grade, injection and discharge structure, rotation direction and special environment of the motor must be noted in the order contract.

Note: the variation allowed by sample data shall be based on actual changes.

### 服务网络

连成在全国各大、中城市设有350多个分支机构，并建立了销售服务网络，拥有一支庞大的销售服务队伍。

### Service Network

With a strong team of sales promotion and after-sales-service, Liancheng established more than 350 nationwide branches in various large and middle.

### 服务项目

- 技术培训
- 安装调试
- 维护修理保养
- 设备评估
- 故障处理
- 设备升级改进

### Service Items

- Technical training
- Equipment evaluation
- Installation and adjustment
- Trouble-shooting
- Maintenance and repairing
- The modification & improvement of equipment

### 服务承诺

- 合同签约后，在安装期间本公司将派人无偿到现场协助安装及调试；
- 如您按说明书正确使用上海连成牌水泵能确保您使用满意，万一发生异常情况，即请拨打服务热线，我们将为您提供优质的售后服务，给予您满意的答复；
- 产品保修期为一年，一年之内如产品出现质量问题，本公司将实行三包；一年以后出现产品质量问题，本公司提供无偿的技术服务，需方单位自购零配件；
- 产品售出后，本公司将终生与客户保持联系，听取使用意见，以便使产品质量更加完善；
- 本公司将定期与定购单位保持联系，定期回访，以确保定购单位使用的设备运行处于良好状态。

### Service Promise

After signing the contract, technical persons will be dispatched to the instant site to help install and adjust equipment, which is free of charge.

In case the equipment is manipulated in accordance with instruction of tech manual, Shanghai Liancheng will guarantee the products. If something abnormal occurred, please contact us. Shanghai Liancheng will provide consider. Within the warrant period of 1 year, if products have quality problems, Liancheng will provide charge-free services.

After warrant period, if quality problems occur, will provide the charge-free technical support, the components and parts should be bought by customers.

After the products are purchased, Shanghai Liancheng will keep lifelong contact with the customers, listening comments from customers so as to improve quality in pump performance.

Shanghai Liancheng will keep regular contact with ordering companies so as to have pump running in proper order.

### 境内售后服务请与我公司当地售后联系或总部：021-59136786

For the domestic post-sale service, please contact the local post-sale service and the headquarter: 021-59136786

### 境外销售和售后服务请联系：+86 21 59136780

For the abroad sale and post-sale service, please contact: +86 21 59136780

驻外机构：\_\_\_\_\_

Agency : \_\_\_\_\_